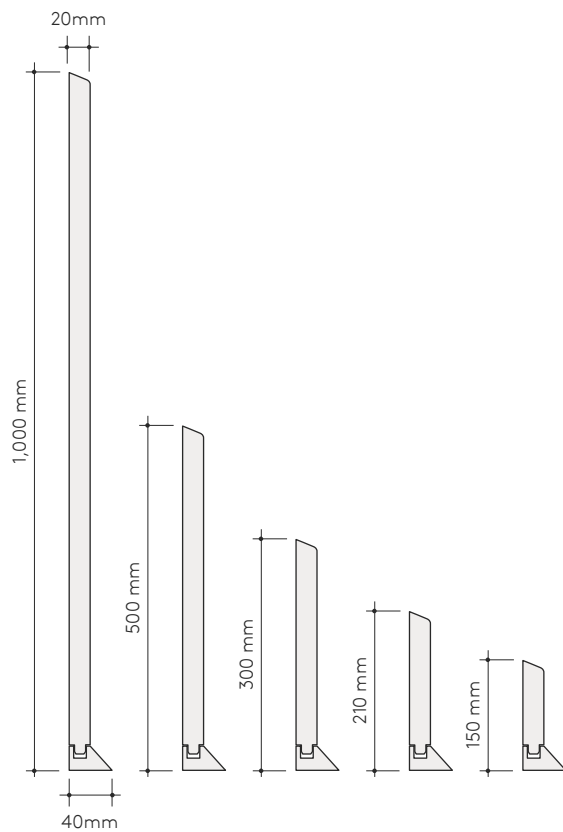


KPSTrim

Manufactured from robust polymer technology, KPSTrim is a two-piece protective plinth for protection at the base of building corners, columns and walls.

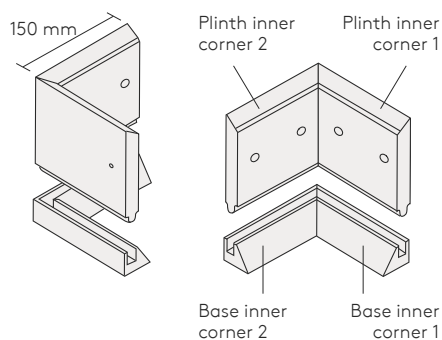
Supplied in 2 metre lengths and available in various heights, KPSTrim is easy to install, fixing to both floor and wall with hidden fasteners. Its superior impact resistance makes it ideal for highly trafficked areas.



Technical Specification

KPSTrim	
Standard length	2 m
Height	1,000 mm, 500 mm, 300 mm, 210 mm and 150 mm
Base thickness (± 1 mm)	40 mm
Plinth thickness (± 1 mm)	20 mm
Density	0.91 g/cm ³
Conduction coefficient	0.17 W/m °C
Breaking elongation	70 %
Working temperature range (max. / min.)	60 °C / -20 °C
Impact resistance	7
Shore hardness	72
Chemical resistance - acids / alkalis	Excellent

Inner Corner



Outer Corner

