

## Narviplastx Stairs

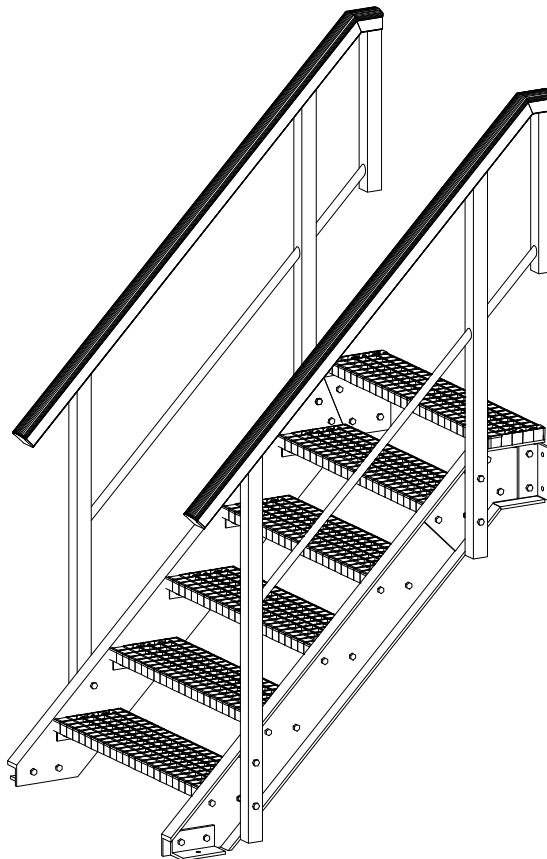
The **GRP Stairs** by Narviplastx are built from high-quality components. The stair itself is constructed from heavy duty U203 pultruded profiles and 883 mm wide and 38 mm thick ISO-FR Safesteps stairtreads. The Safesteps are mounted to the stair beams by a RVS (GRP as alternative) support set with U-clips.

The high visible yellow handrails are constructed of 50x50mm square tube posts, round tube knee rail and ergonomic handrail.

The standardized raise of the stair is 4 m with a stair angle of 45°. Higher raises are available on request. The stairs end with a stair tread level to the grating floor, enabling easy to corresponding modules or any construction.

During the development of this concept, extra attention has been paid to the safety and quality. The posts for the handrail system are strengthened to prevent the posts from collapsing.

The stairs comes with a standard width of 833 mm. For other sizes, you can contact Narviplastx. The IM-S system meets the requirements of the EN-ISO 14122-3&4. Bolting and hardware is made of A2 (AISI 304) stainless steel.



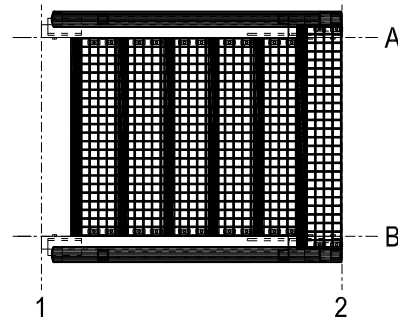
## Modules

19 standard modules are available:

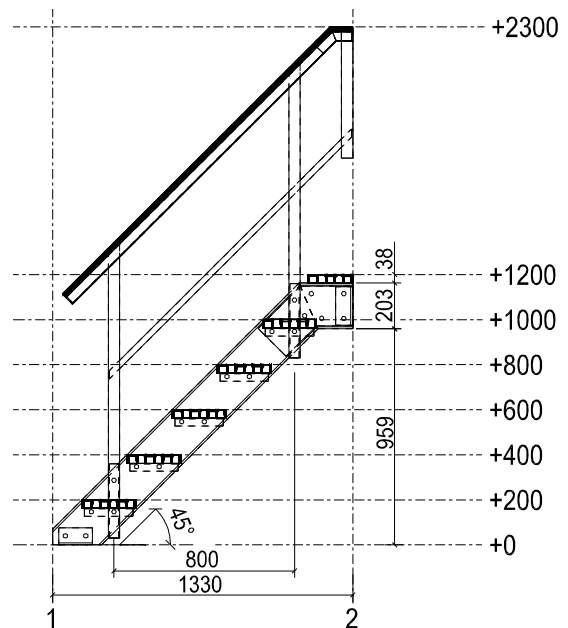
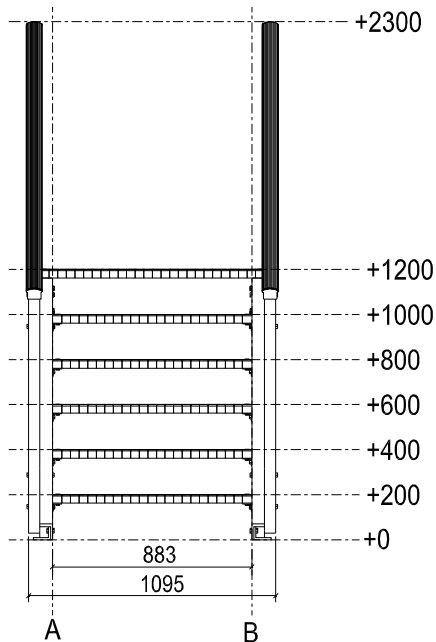
- ❖ IM-S-04\*
- ❖ IM-S-06
- ❖ IM-S-08
- ❖ IM-S-10
- ❖ IM-S-12
- ❖ IM-S-14
- ❖ IM-S-16
- ❖ IM-S-18
- ❖ IM-S-20
- ❖ IM-S-22
- ❖ IM-S-24
- ❖ IM-S-26
- ❖ IM-S-28
- ❖ IM-S-30
- ❖ IM-S-32
- ❖ IM-S-34
- ❖ IM-S-36
- ❖ IM-S-38
- ❖ IM-S-40

\* the module excluding handrails

IM = Intermodule®  
 S = Stair  
 12 = Height 1200 mm

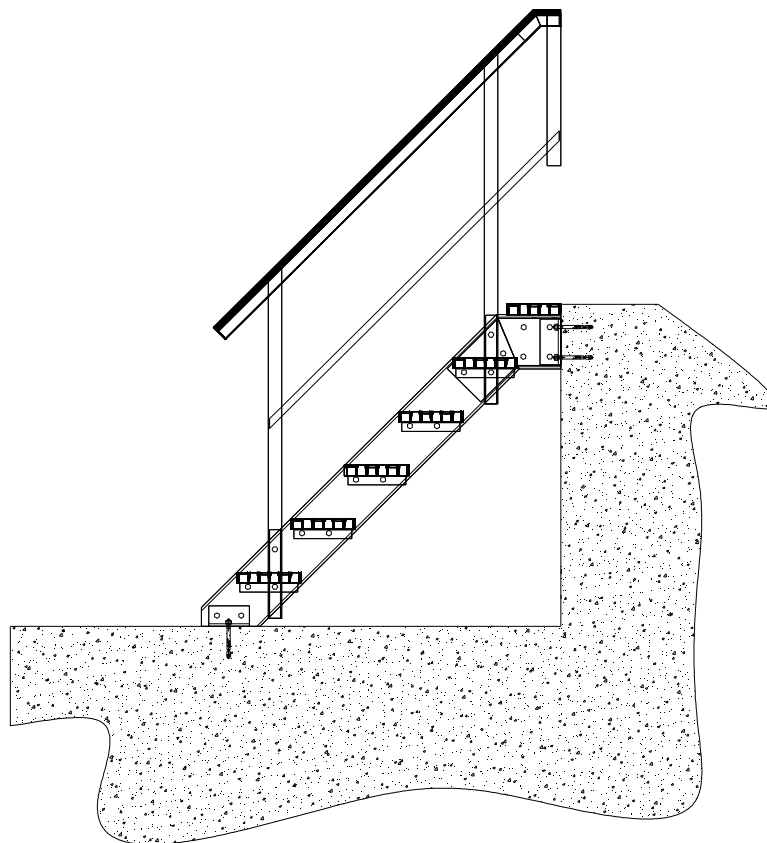


### IM-S-12 with main dimensions



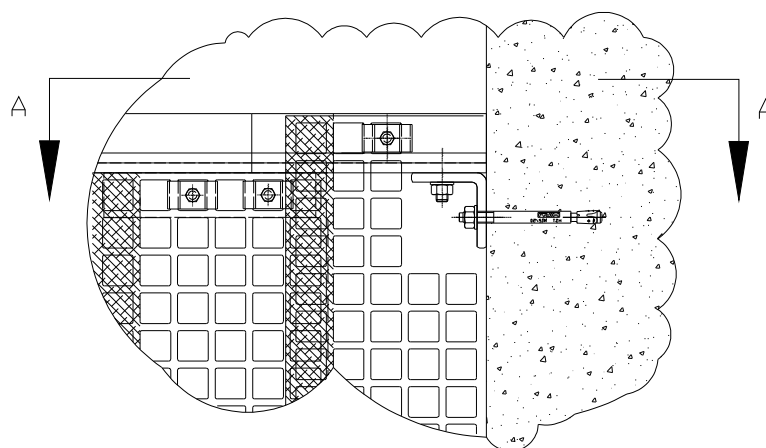
## Mounting

The installation of the IM-S is very simple. It is fixed to the adjacent construction by GRP angle connectors both at the top and bottom.

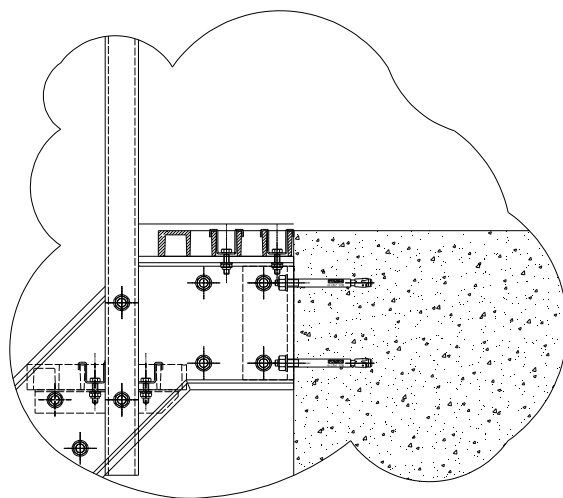


For fixing to adjoining structures GRP angle clips are used. See some details below.

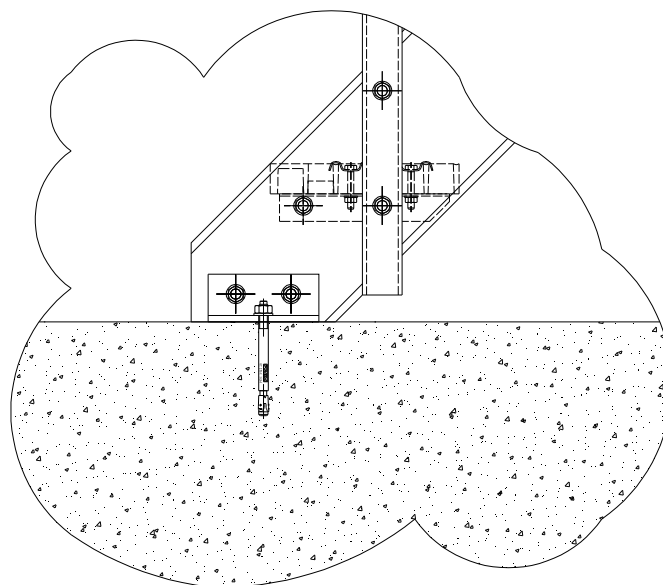
### Connecting top-side of IM-S



View A-A

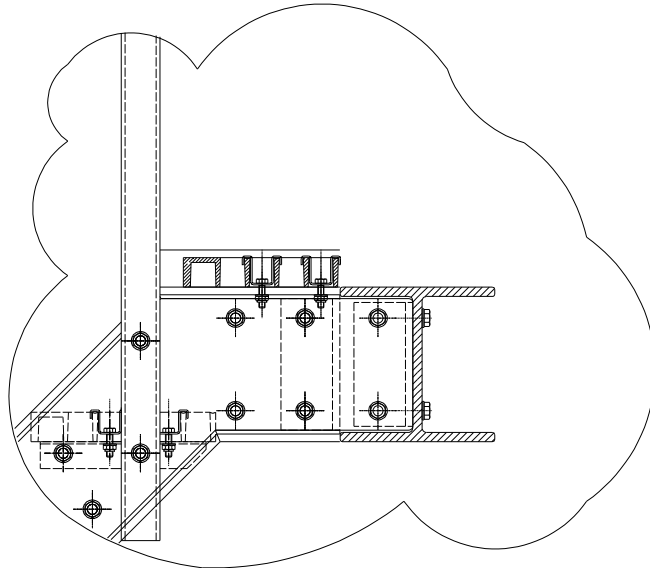


Connecting to the flooring



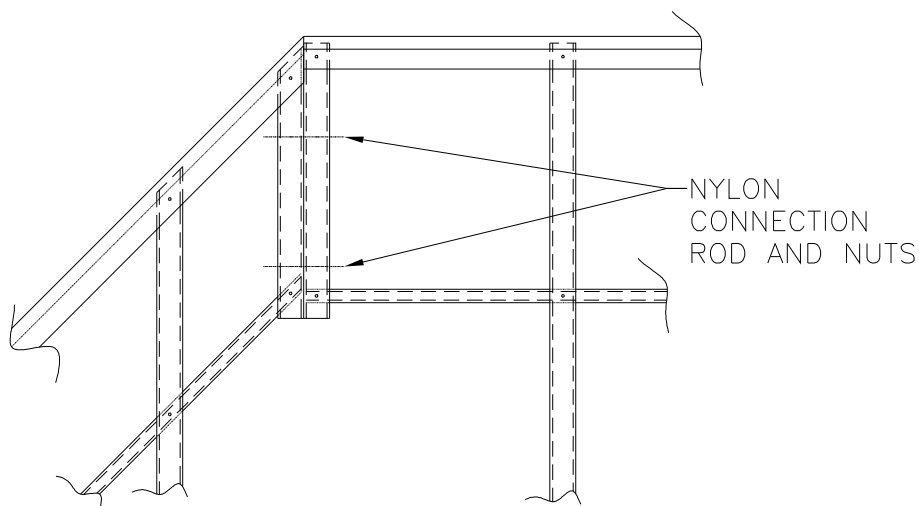
If the stairs has to mounted to a H-profile, problems can occur. This problem can be solved by extending the Fiberplate. Mounting to H-profile by means of an extended GRP plate with angle clip.

## Connecting IM-S to H-profile



## Connection of handrails

The Narviplastx handrails are easily to connect .  
Hereunder a detail of a connection between handrails



## Remarks:

- Narviplastx Stair is delivered with GRP angle clips and/or extended plate
- Anchors are not included within delivery